



VIKTOR
SURGICAL INSTRUMENTS

2019

Dental, Veterinary and Manicure Instruments

SECTION
TONSILS & LARYNGO
INSTRUMENTS

Tonsil Knives

450



½

Fisher
450-3813
23.0 cm / 9"



½

Abraham
450-3814
21.0 cm / 8¼"

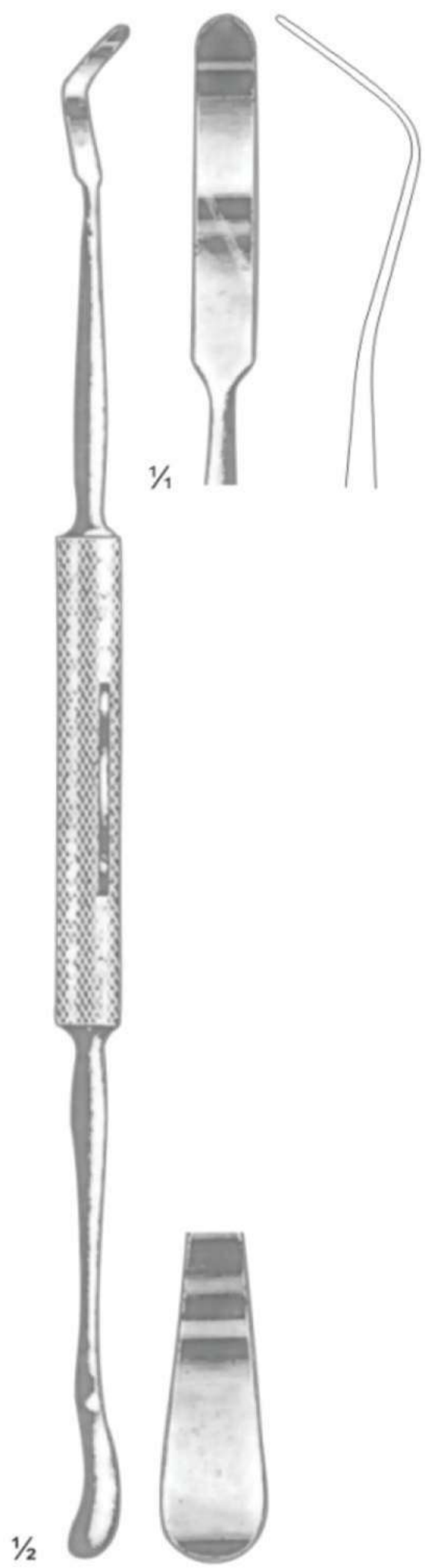


½

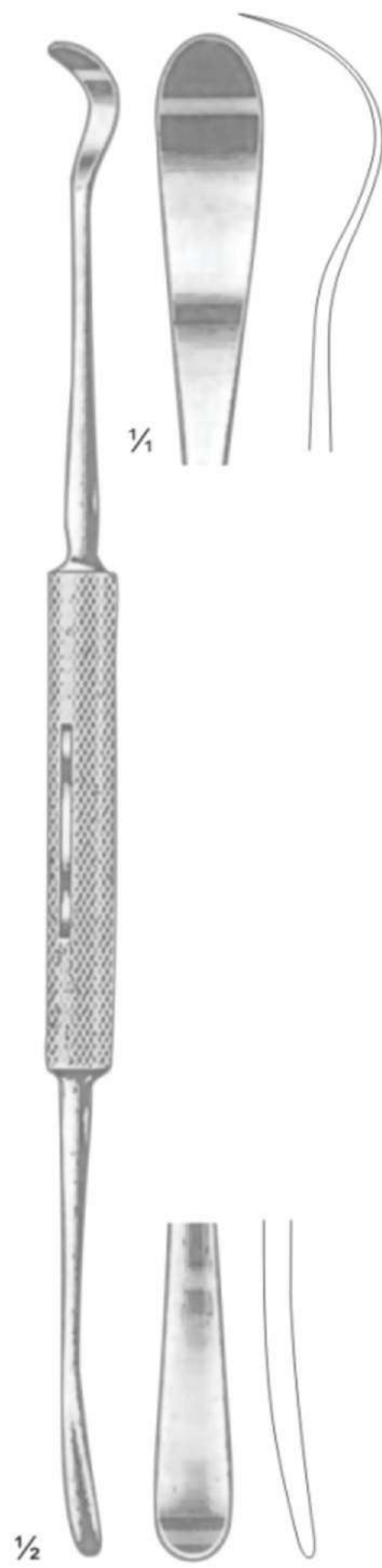
Bruenings
450-3815
23.0 cm / 9"

451

Tonsil Knives, Dissectors, Enucleator, Retractor Etc.



Carpenter
451-3816
25.0 cm / 10"



Carpenter
451-3817
24.0 cm / 9½"



Hurd
451-3818
23.0 cm / 9"



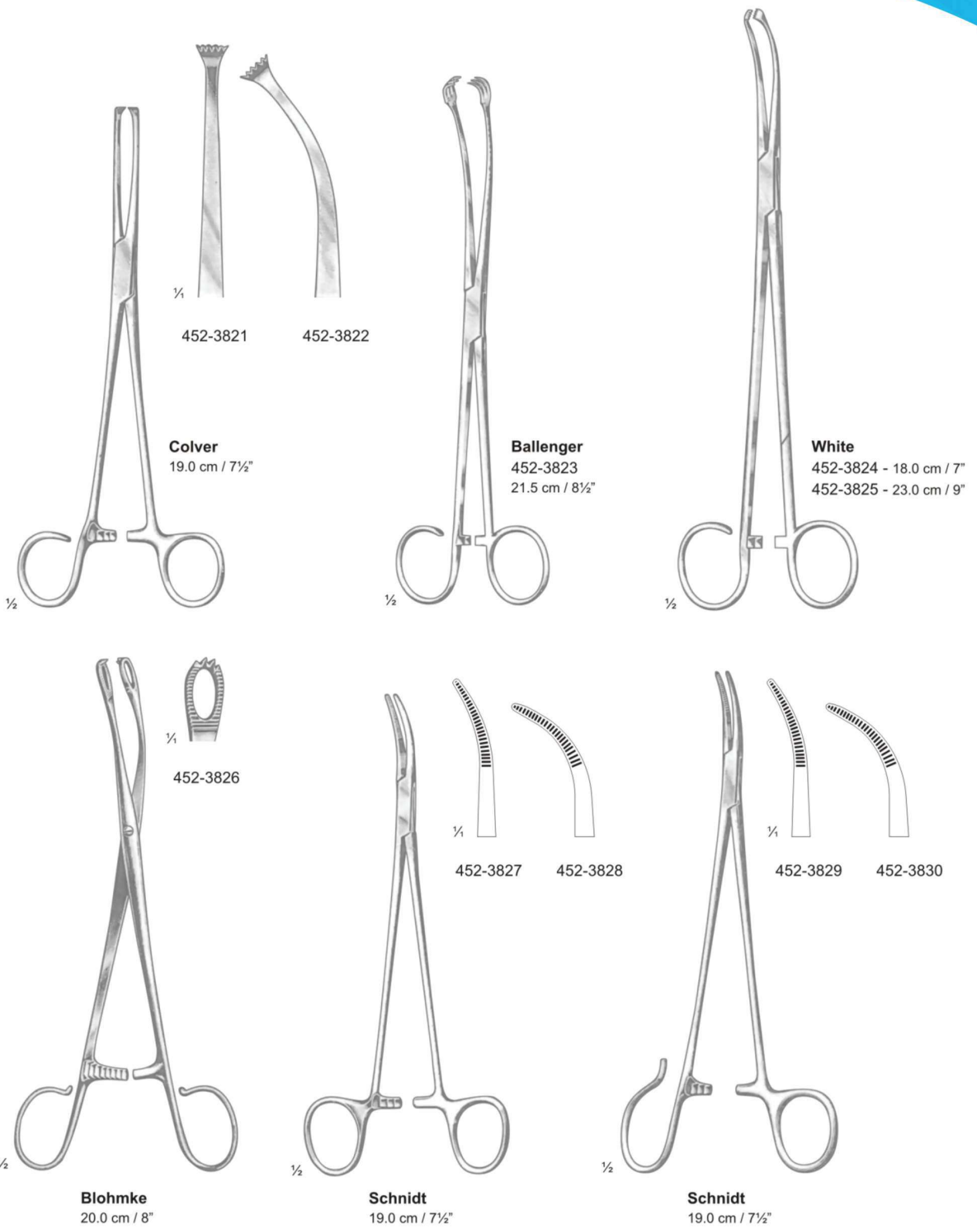
Henke
451-3819
23.0 cm / 9"



Henke
451-3820
23.0 cm / 9"

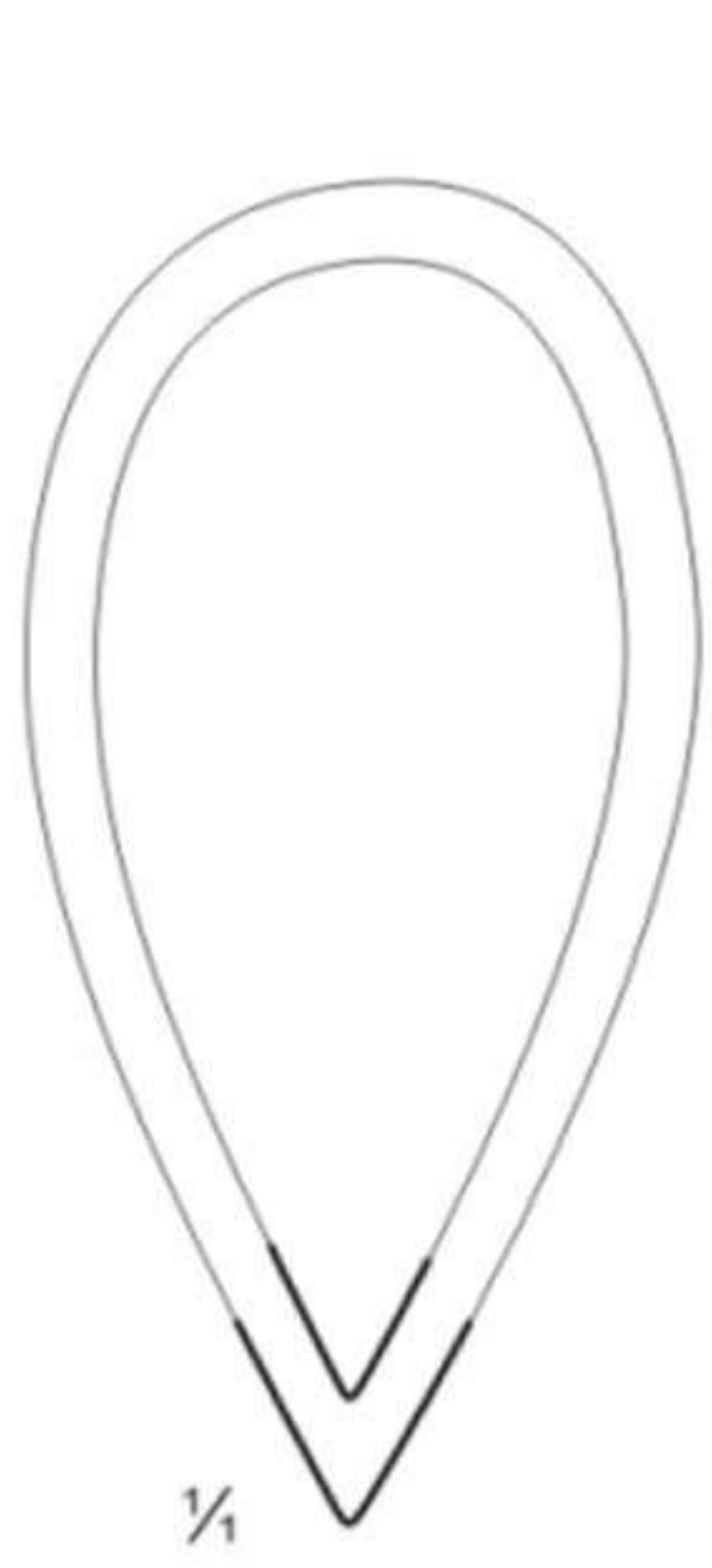
Tonsil Seizing Forceps

452



453

Tonsil Snares



453-3831 - 40 mm
453-3832 - 50 mm



453-3833
0.3 mm ø



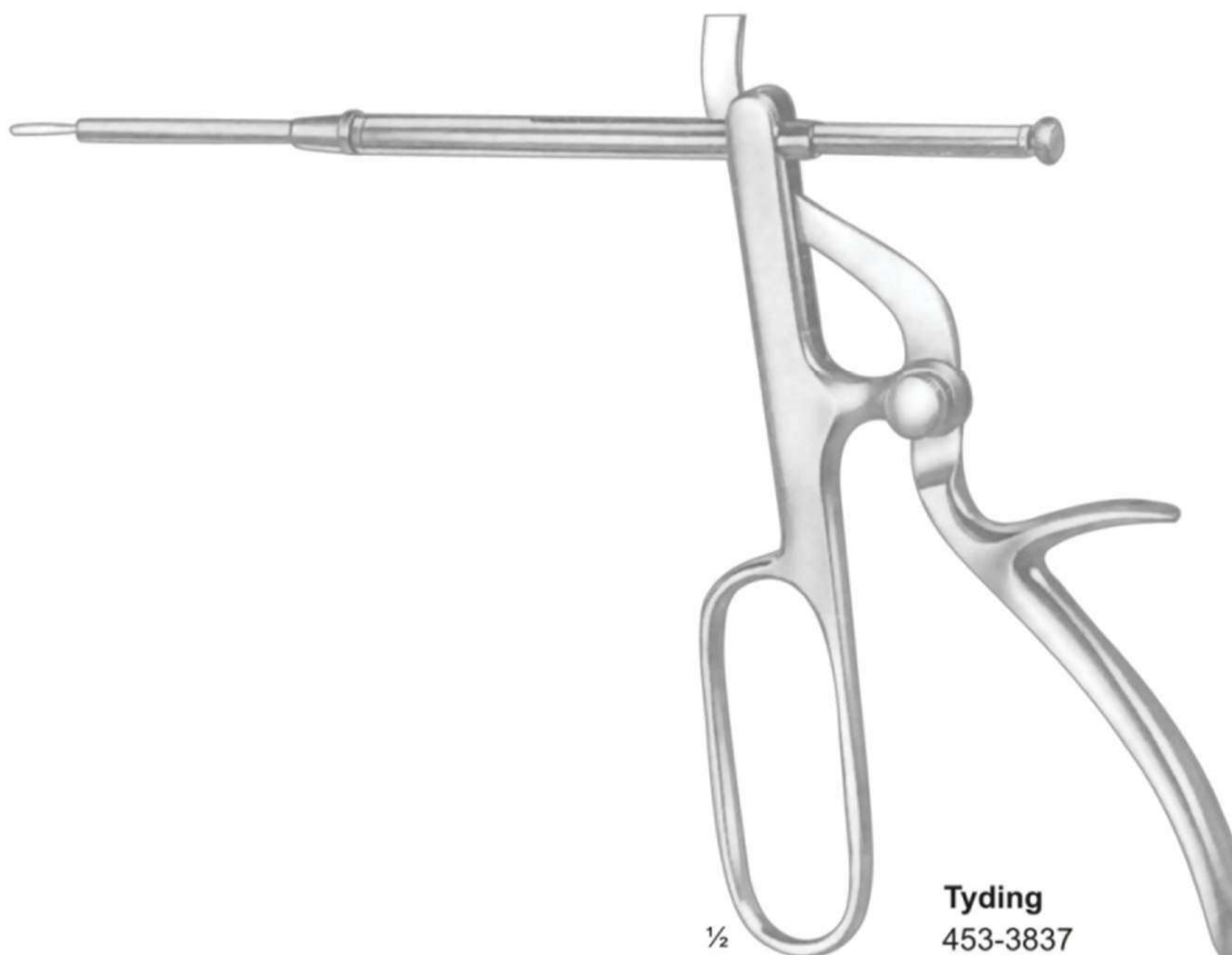
Eves
453-3834
28.0 cm / 11"



Eves
453-3835
28.0 cm / 11"



Bruenings
453-3836
28.0 cm / 11"



Tyding
453-3837
with 1 straight tip

Tonsil Snares

454

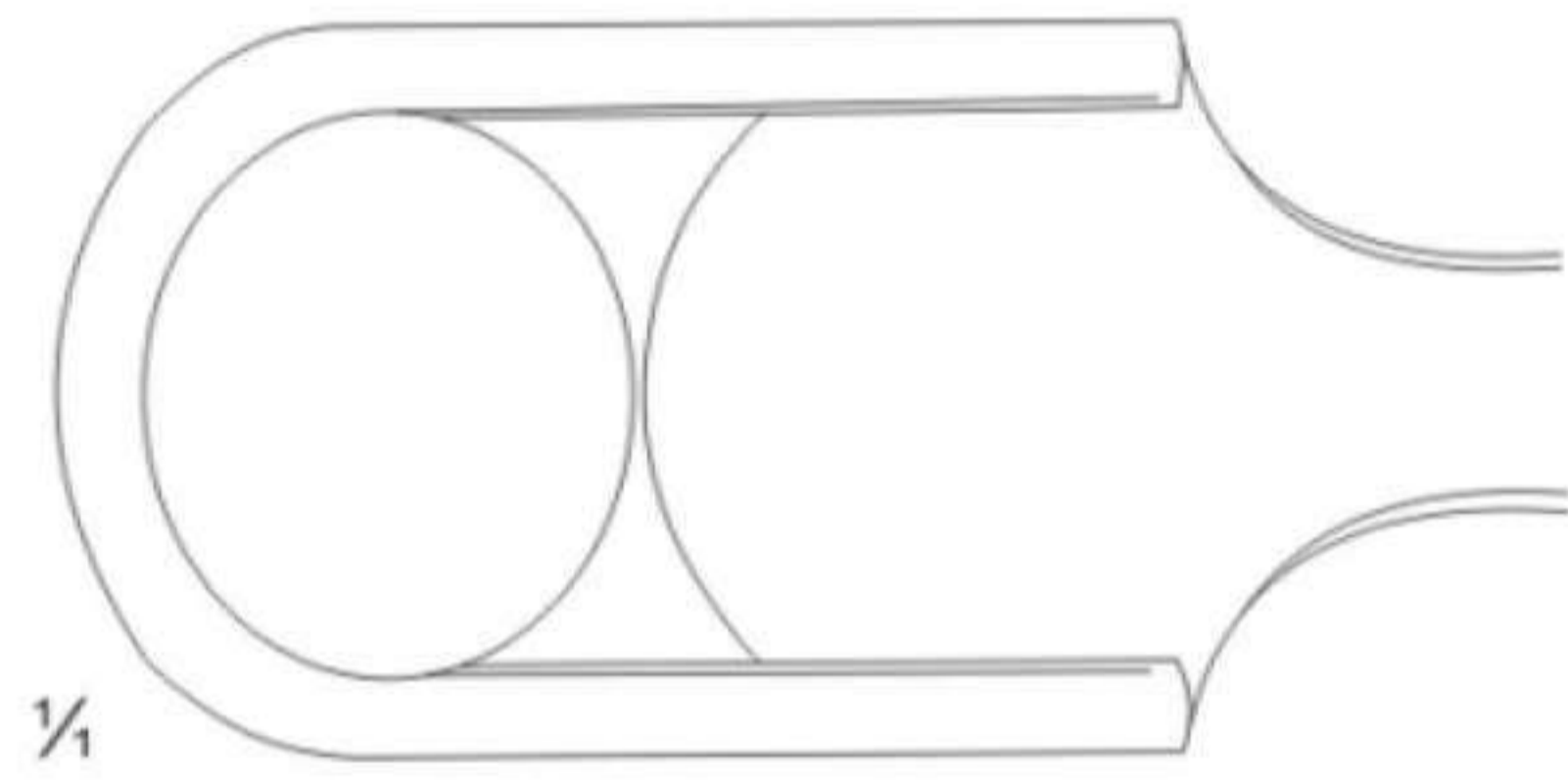


Fig. 1

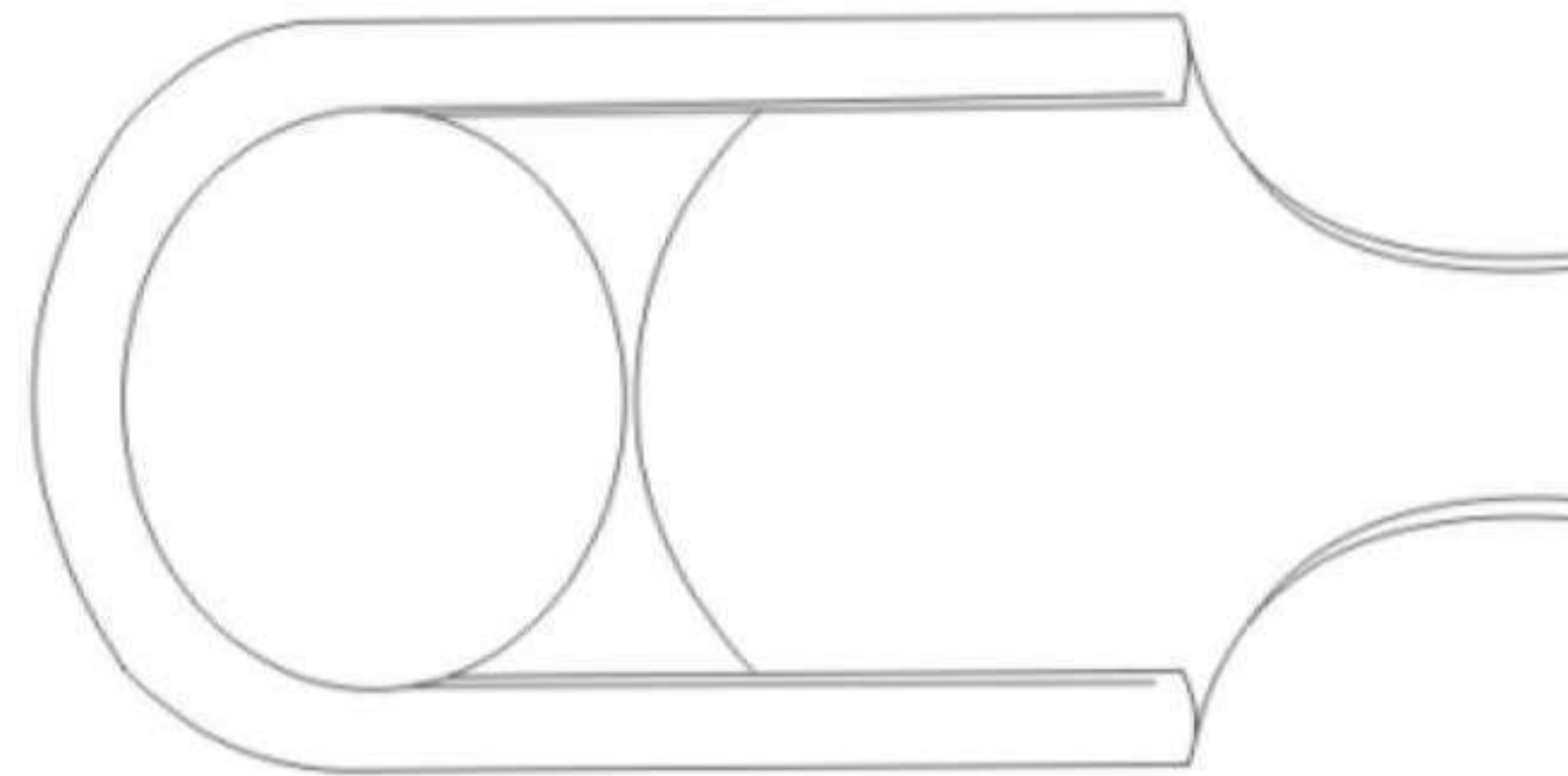


Fig. 2

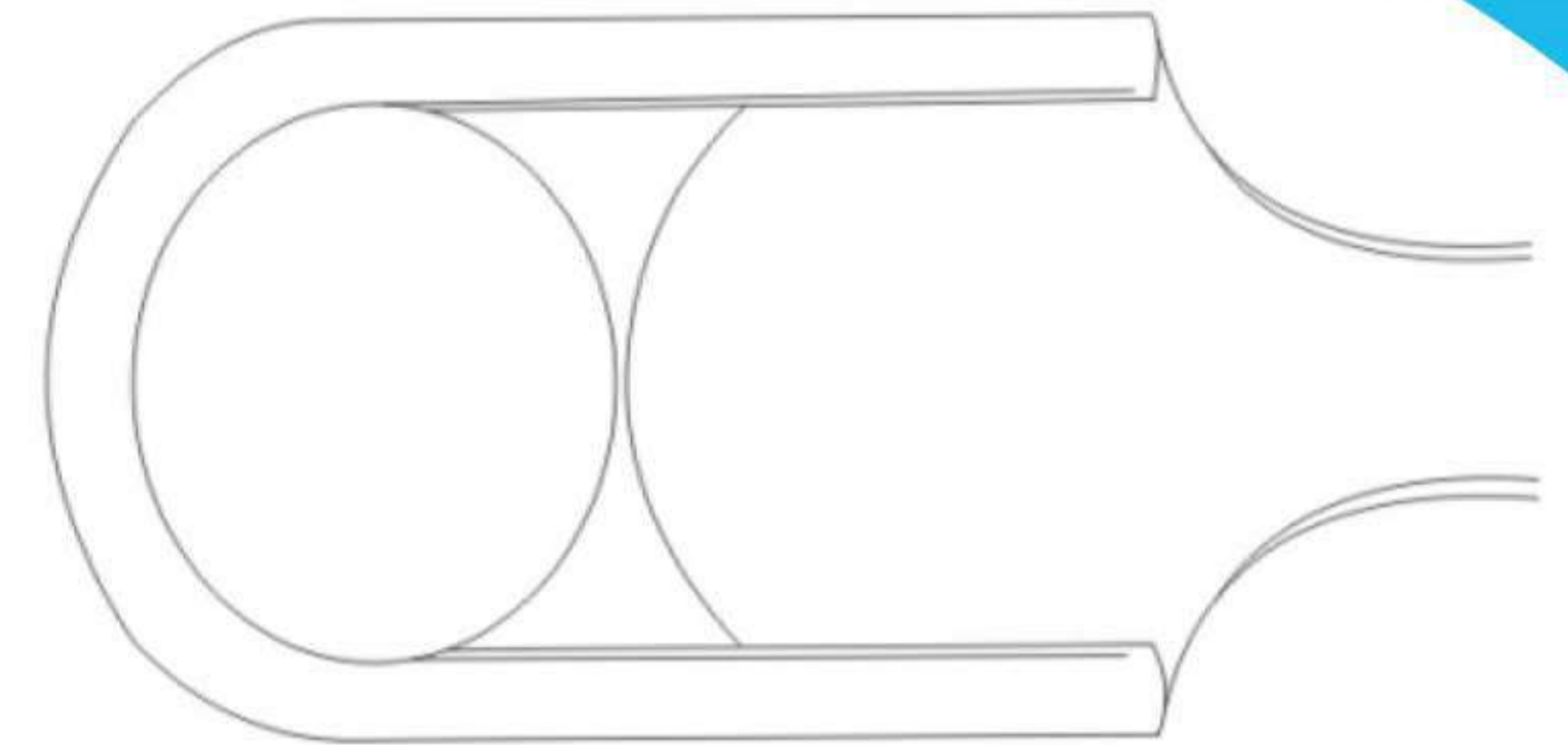
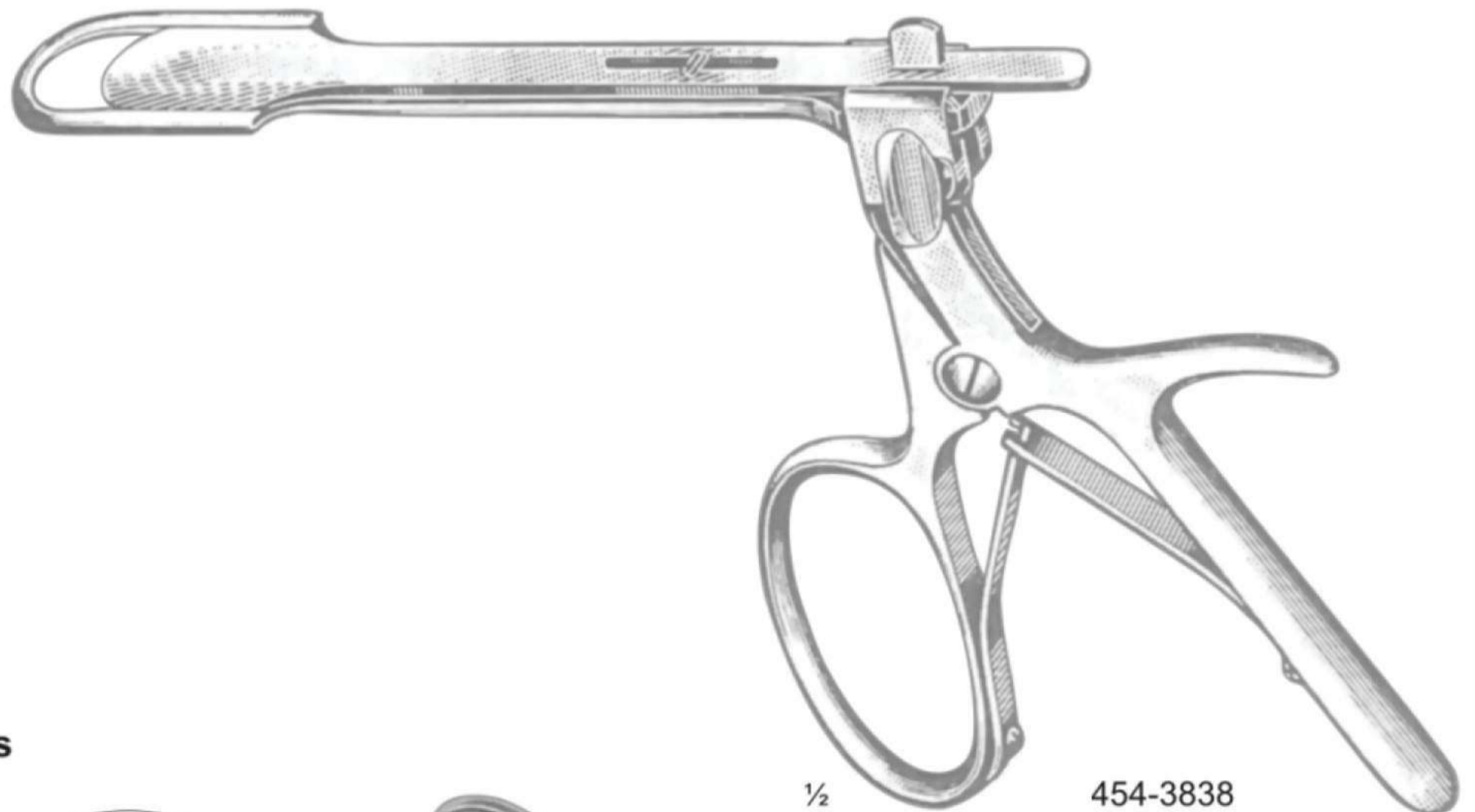


Fig. 3



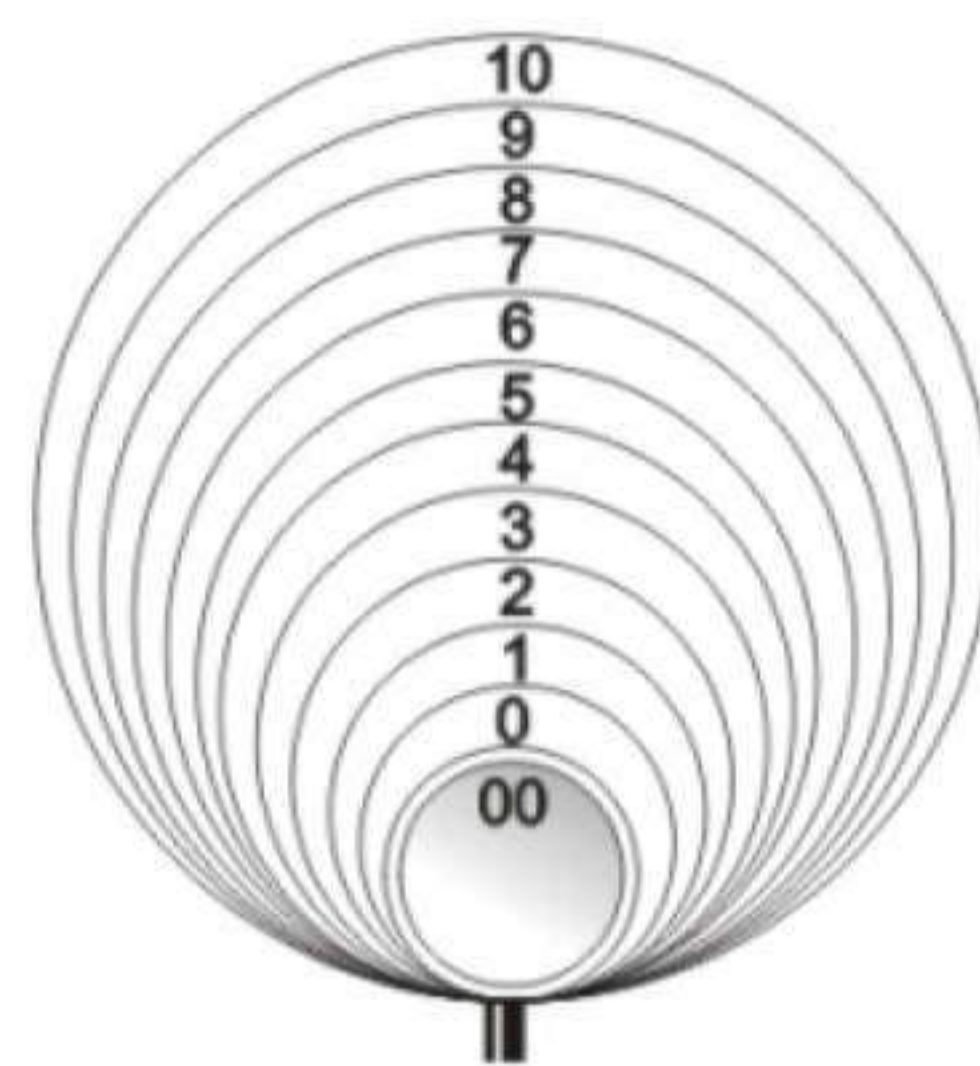
454-3838

complete with 3 tip

Laryngeal Mirrors



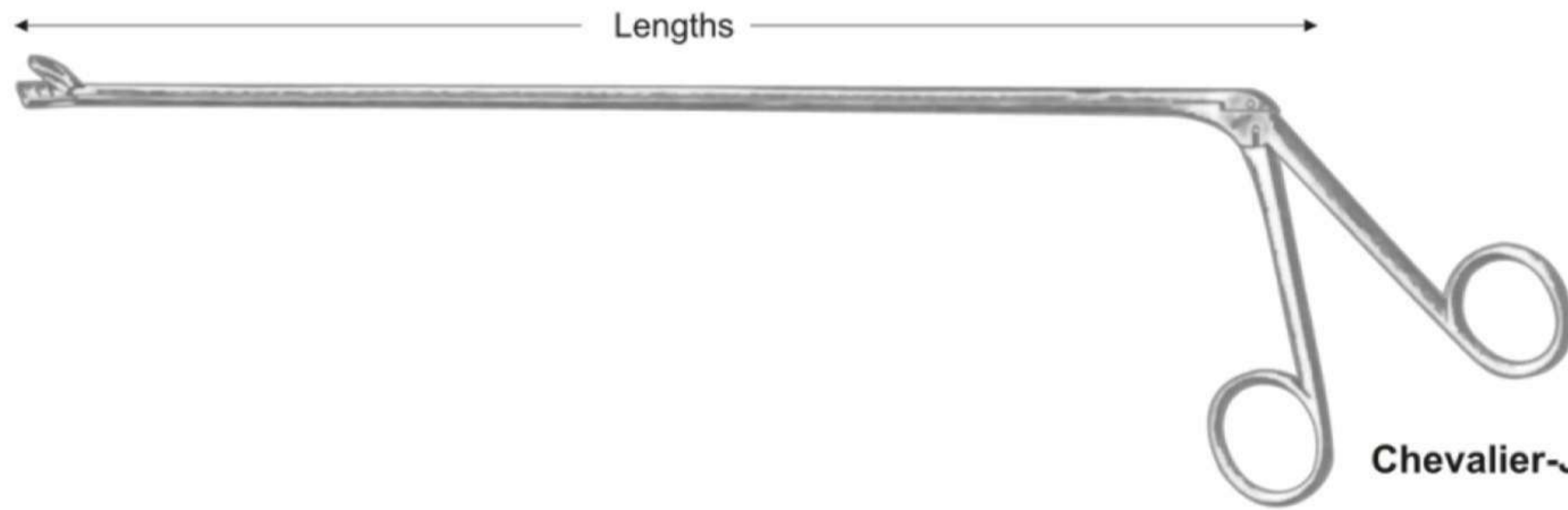
1/2



454-3839	Fig.00	=	8 mm ø	454-3851
454-3840	Fig.0	=	10 mm ø	454-3852
454-3841	Fig.1	=	12 mm ø	454-3853
454-3842	Fig.2	=	14 mm ø	454-3854
454-3843	Fig.3	=	16 mm ø	454-3855
454-3844	Fig.4	=	18 mm ø	454-3856
454-3845	Fig.5	=	20 mm ø	454-3857
454-3846	Fig.6	=	22 mm ø	454-3858
454-3847	Fig.7	=	24 mm ø	454-3859
454-3848	Fig.8	=	26 mm ø	454-3860
454-3849	Fig.9	=	28 mm ø	454-3861
454-3850	Fig.10	=	30 mm ø	454-3862

455

Universal Handle and Interchangeable tubes, Broncho-Esophagoscopy Forceps

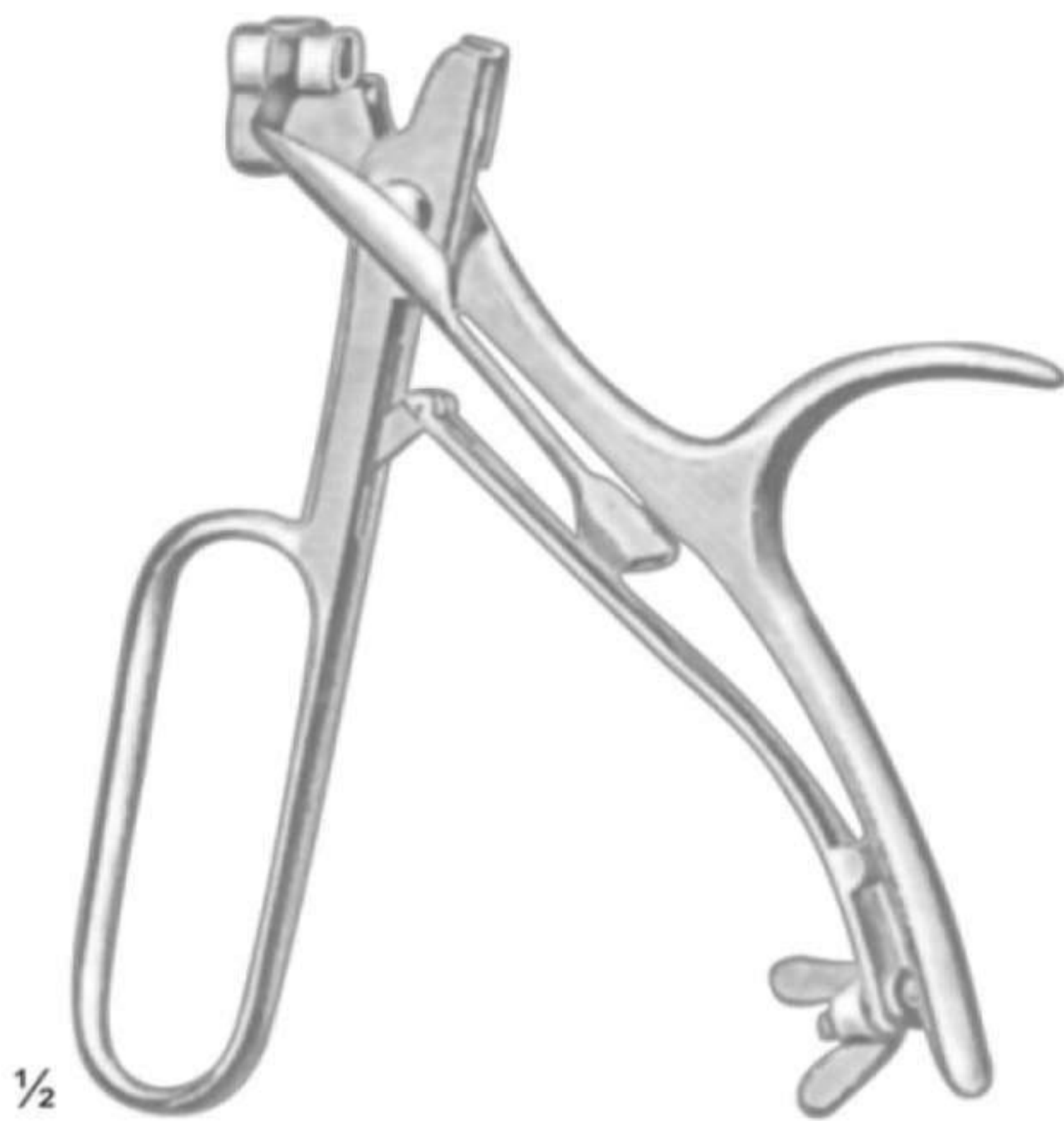


Chevalier-Jackson

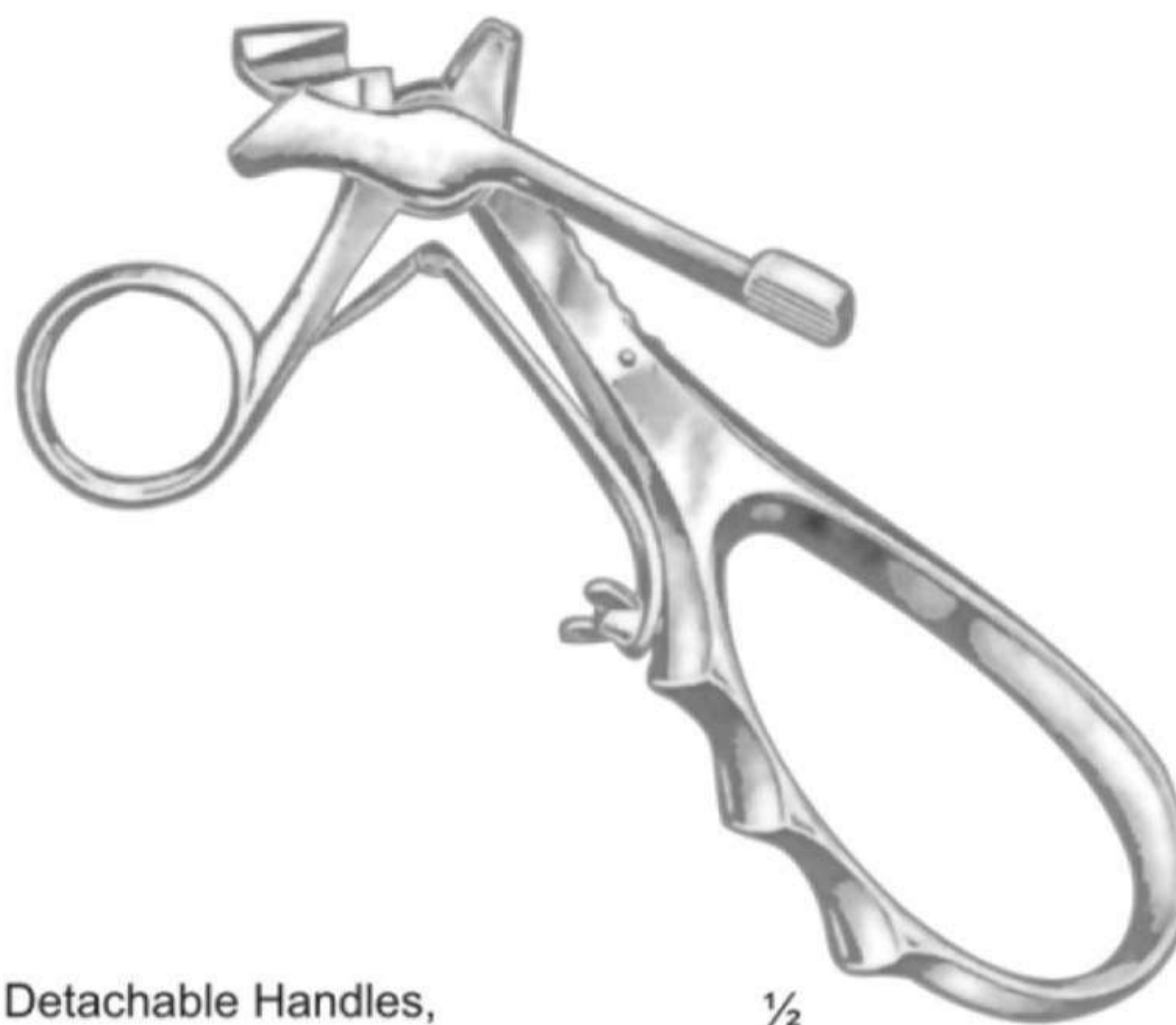
upper jaws Moveable



cm	in	455-3863	455-3867	455-3871	455-3875	455-3879	455-3883	455-3887
30	12	455-3864	455-3868	455-3872	455-3876	455-3880	455-3884	455-3888
40	16	455-3865	455-3869	455-3873	455-3877	455-3881	455-3885	455-3889
50	20	455-3866	455-3870	455-3874	455-3878	455-3882	455-3886	455-3890
60	24							



Huber
455-3891



Bruenings
455-3892

Universal Detachable Handles,
for use with interchangeable tip and tubes



straight	lengths	
	cm	in.
455-3893	20	8
455-3894	30	12
455-3895	40	16



Bruenings
455-3896
20.0 cm / 8"

Laryngeal Tube for above mentioned handle

Cutting and Grasping Forceps Tipd



Fraenkel
456-3897



Seiffert
456-3898



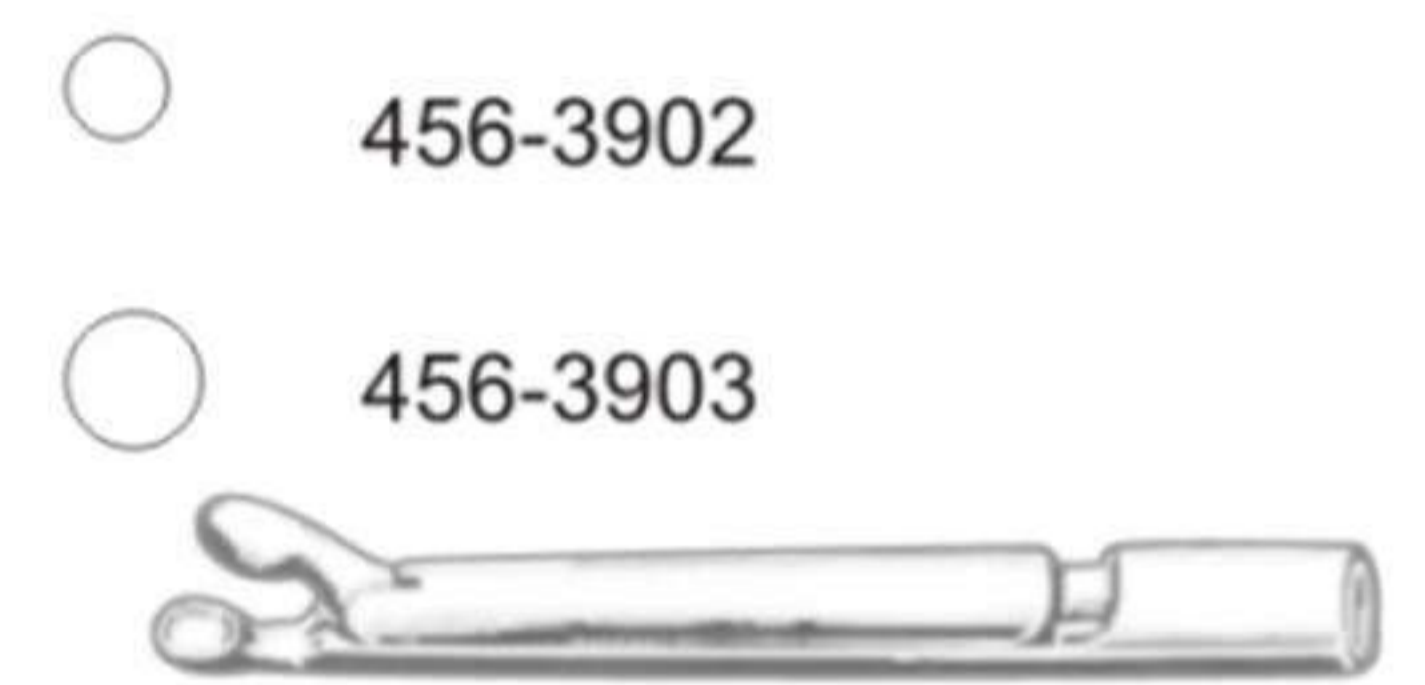
Fraenkel
456-3899



Scheinmann
456-3900



Scheinmann
456-3901



Bruenings



456-3904



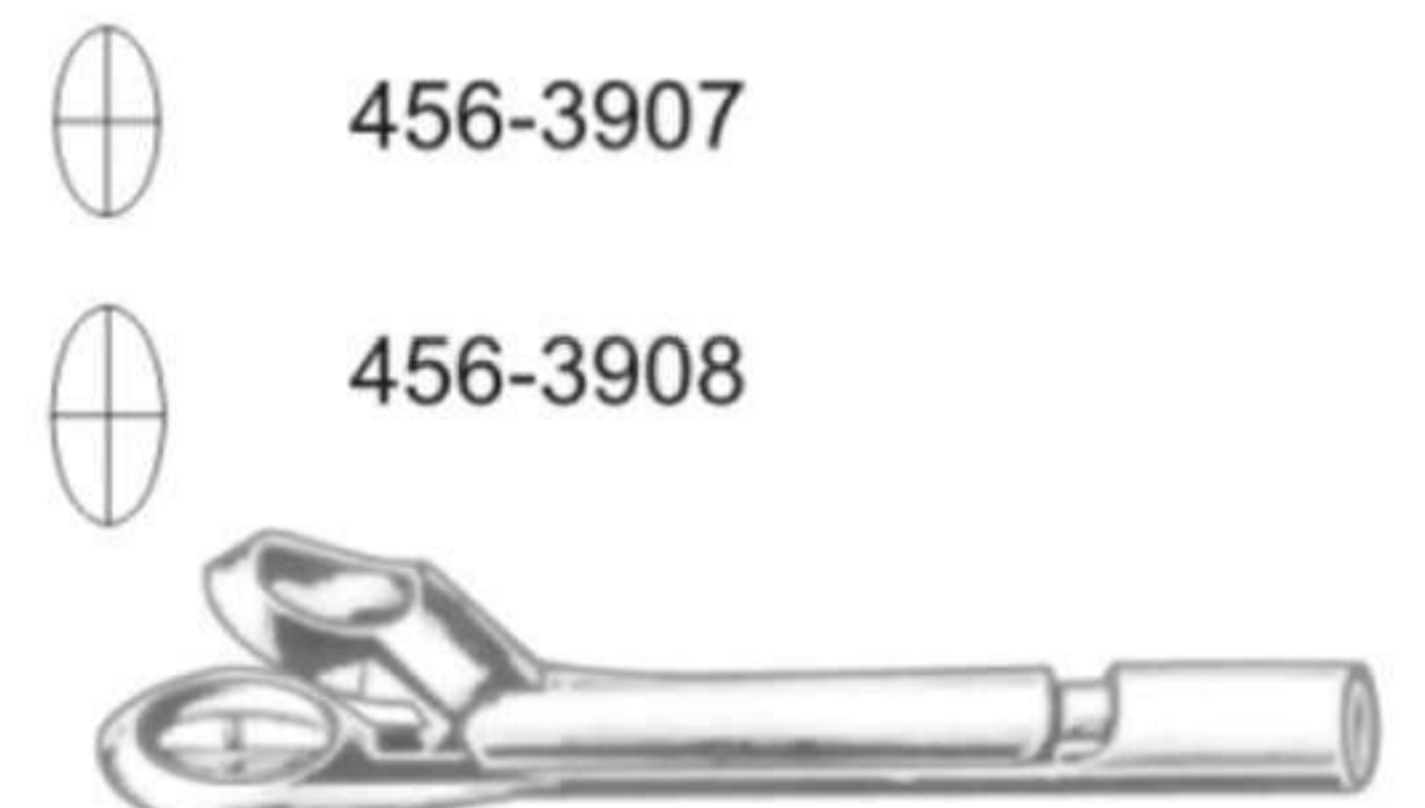
456-3905



Bruenings



Lange
456-3906



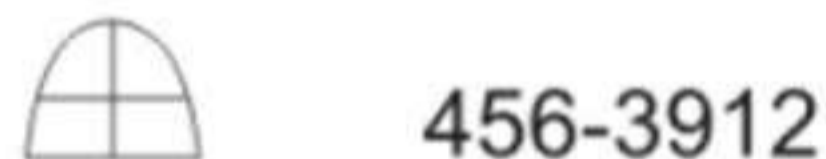
Krause



456-3910



456-3911



456-3912



456-3913



Krause
456-3909



Cordes



with drawing cut



Schumacher
456-3914



456-3915



456-3916



Cordes



Cordes
456-3917



Rosenberg
456-3918



VIKTOR
SURGICAL INSTRUMENTS

Head Office:

533 Keswick Ct Rocheter Hills Michigan USA 48306

UAE Office:

NexGen Gadgets FZE, SM-Oce-C1- 518G, Ajman Free Zone

South East Asia Office:

324/34 Samprawuth Rd, Bangna, Bangna Bangkok 10260

Tel. : +662 107 4183

Mr.Tony +661 599 6754

E-mail : tony@viktormedical.com